



FEATURES

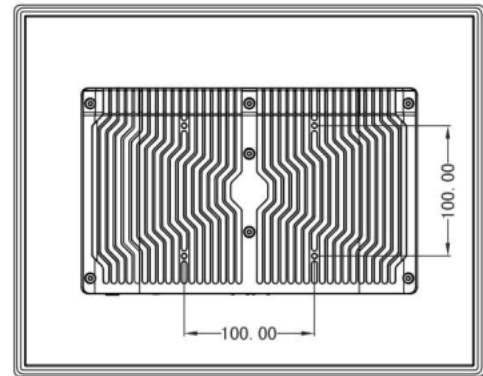
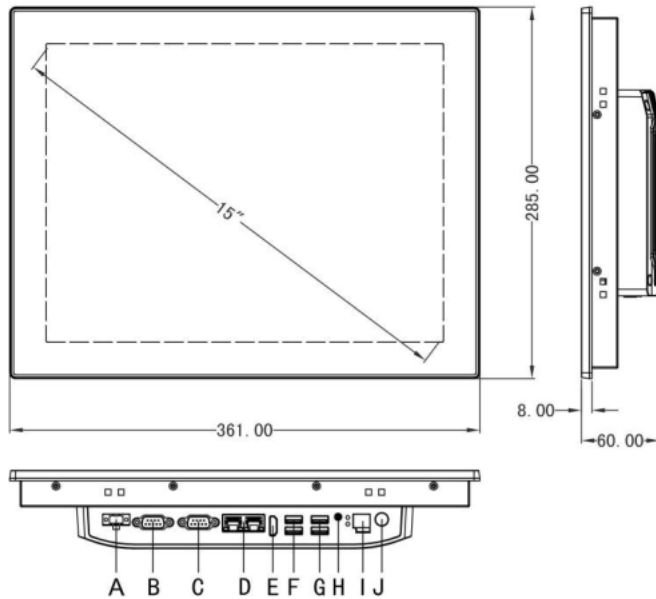
- 15" TFT LED Capacitive / Resistive Touch
- Intel Celeron Quad Core J1900 2.0GHz
- 1x DDR3L 1333MHz 4GB Max up to 8GB
- 2xLAN, 2xRS232/422/485, 8KV Static Electricity & 600W TVS Surge Protection
- Built in TPM2.0 for Hardware-based Security
- Wide voltage DC 9V~36V, with overcurrent, overvoltage and reverse connection protection
- 20°C ~ 70°C extended operating temperature
- IP66 Compliant Front Panel

SPECIFICATIONS

System		Touch screen	
CPU	Intel Celeron Quad Core J1900 2.0GHz	Touch Screen Type	Multi-Touch PCAP / Resistive touch
L2 Cache	2MB	Transmittance	>90%
Chipsets	Intel Bay Trail SOC	Response Time	<5ms
Memory	DDR3L 1333MHz 4GB, Up to 8GB	Surface Hardness	≥7H
Harddisk	1 x mSATA 64G SSD / (128G / 250G / 500G SSD) optional	Supply Voltage	5.0V DC
Graphics	Intel HD Graphics	Touch Life	≥ 3000W
Network	Intel® I211-AT GbE LAN	Institutional	
Audio	Realtek ACL662 Audio controller	Material	High-strength Al-alloy, support IP66
TPM	TPM 2.0	Color	Gray
Operation System	Windows7 / 8 / 10, Linux, Ubuntu, Debian	VESA Mounting	VESA: 100 x 100 mm
I / O		Waterproof Rate	IP65 / IP66
HDMI	1 x H-DMI	Product Dimension	361 x 285 x 60 mm
LAN	2 x LAN	Cut-out Size	347 x 271 mm
USB	3 x USB2.0 / 1 x USB3.0	Packing Size	460 x 180 x 400 mm
COM	2 x RS-232 / 422 / 485	Gross Weight	7 KG
Wireless Network	4G / WiFi / Bluetooth (Optional)	Power and Environment	
Other I/O Interface	1 x Power Switch	Operating Temperature	-20~70°C
LCD Panel		Storage Temperature	-30~80°C(-22~176°F)
Panel Size	15" LED	Relative Humidity	5%~95%@40°C, non-condensing
Resolution	1024 x 768	Vibration Range	5-500 Hz, 0.026 G2/Hz, 2.16 Grms, X, Y, Z, 1 hour per axis
Aspect Ratio	4:3		
Display Brightness	350 cd/m2	External Power Supply	AC 100 - 240V~50/60Hz, 1.5A
Backlight Lifetime	50000 Hr (min.)	Working Voltage	DC IN 9V~36V
Viewing Angle	89 / 89 / 89 / 89 (CR≥10) (L / R / U / D)	Power Consumption	≤30W



Dimension & I/O



I / O Definition:

- | | |
|----------------------------|------------------------------|
| A. DC 9V~36V | B. COM1:RS-232 / 422 / 485 |
| C. COM2:RS-232 / 422 / 485 | D. 2 x LAN |
| E. H-DMI | F. 1 x USB 3.0 / 1 x USB 2.0 |
| G. 2 x USB 2.0 | H. Audio |
| I. Extension Switch | J. Power Button |

Panel Cutout Dimensions: 347 x 271 mm (13.66 x 10.66 in)

ORDERING INFORMATION

PACKING LIST

- 1x AS15 J1900 LC1
- 1x Utility DVD Driver
- 8x Embedded Buckles
- 1x Power Adaptor

AVAILABLE MODELS

Display Size	Resolution	Format	Brightness(cd/m ²)	Viewing Angle	LCD Color	Backlight MTBF
10.1"	1280 x 800	16:10	400 cd/m ²	85/85/85/85	262K/16.2M	30000 Hr (min.)
10.4"	800x600/1024x768	4:3	350 cd/m ²	80/80/65/75	262K/16.2M	30000 Hr (min.)
12.1"	800x600/1024x768	4:3	400 cd/m ²	80/80/65/75	262K/16.7M	30000 Hr (min.)
12.1"	1280x800	16:10	600 cd/m ²	88/88/88/88	262K/16.7M	50000 Hr (min.)
13.3"	1920x1080	16:9	400cd/m ²	85/85/85/85	262K/16.7M	50000 Hr (min.)
15"	1024x768	4:3	350cd/m ²	89/89/89/89	262K/16.2M	50000 Hr (min.)
15 6"	1920x1080	16:9	600cd/m ²	89/89/89/89	262K/16 2M	50000 Hr (min)
17"	1280x1024	5:4	400cd/m ²	80/80/70/70	262K/16 7M	50000 Hr (min)
17.3"	1920x1080	16:9	400cd/m ²	80/80/60/80	262K/16 7M	50000 Hr (min)
19"	1280x1024	5:4	450cd/m ²	85/85/80/80	262K/16 7M	50000 Hr (min)
21.5"	1920x1080	16:9	400d/m ²	89/89/89/89	262K/16 7M	50000 Hr (min)
24"	1920x1080	16:9	350cd/m ²	89/89/89/89	262K/16 7M	50000 Hr (min)

